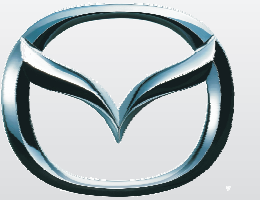


Millwork Details - Reception Desk



MAZDA

4.5

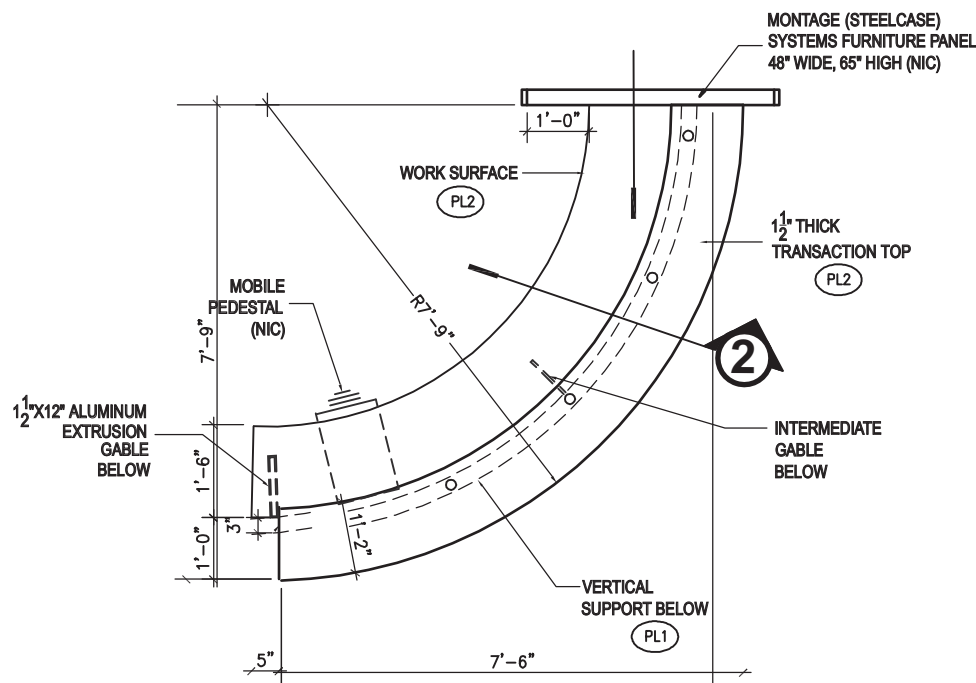
4.5.1



Reception Attributes:

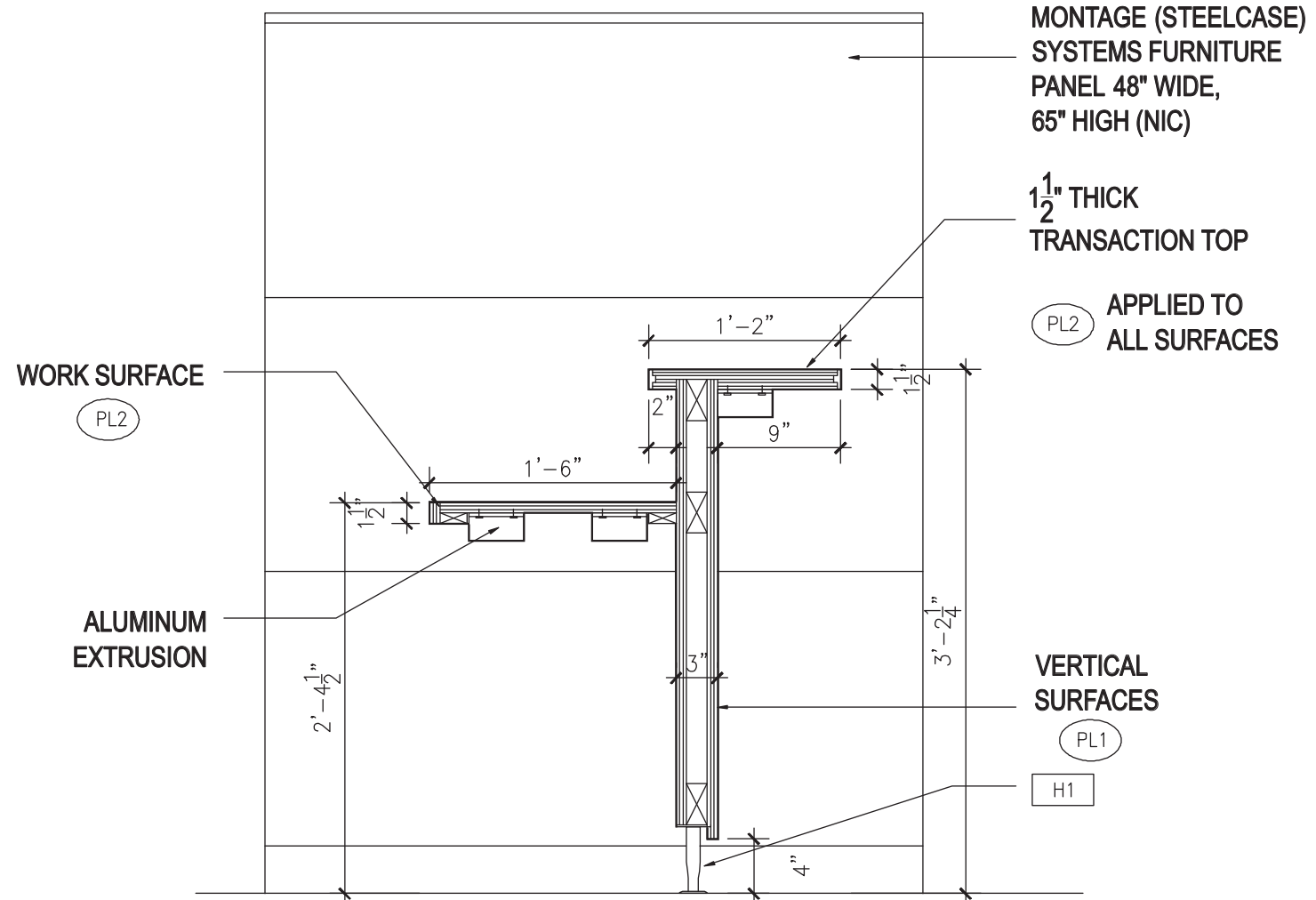
- Finish:** Horizontal Surfaces PL2 Vertical Surfaces PL1
1.5"x12" Gable (Aluminum Extrusion)
- Seating:** Adjustable Task Chair
- Technology:** 2 data, 2 voice, 2 Duplex Integral Floor Fed
- Equipment:** Monitor, Keyboard, CPU, Phone, Phone Switchboards
- Storage:** Box/Box/File Pedestal
Adjacent to Key Room

(Refer to 4.2.6 for millwork finishes)



Detail 1

Plan



Detail 2

Section